

WAFER-TYPE NON-RETURN VALVE RD40 DN 125 – DN 200

DESCRIPTION

The RD40 disc check valve has a compact design and was specially designed for use with steam and hot condensate. Connections are flanged (wafer type).

MAIN FEATURES

Low pressure drop.
Simple and compact design.
Overall lengths according to DIN EN 558, basic series 49 (DIN 3202 part 3, series K4).

OPTIONS: Soft sealing:
EPDM (E), NBR (N), VITON (V), PTFE (T).
Inconel springs.

USE: Saturated steam, water and other gases (Group 2) compatible with the construction.

AVAILABLE MODELS: RD40.

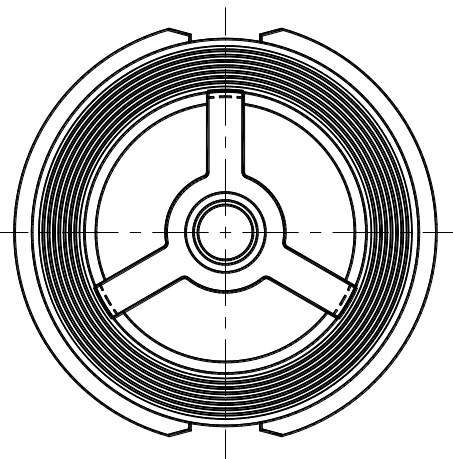
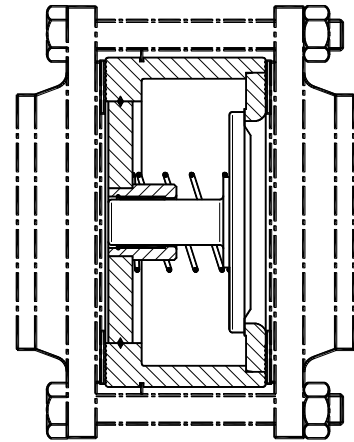
SIZES: DN 125 to DN 200.

CONNECTIONS: Sandwiched between flanges as per EN 1092 or ANSI.

INSTALLATION: Horizontal or vertical installation. See IMI – Installation and maintenance instructions.

RATING: PN40.

LIMIT OF OPERATION: As per EN 1092.



RECOMMENDED LIMITS OF OPERATION WITH SOFT SEALS			
EPDM (E)	NBR (N)	VITON (V)	PTFE (T)
130 °C	95 °C	180 °C	180 °C

CE MARKING – GROUP 2 (PED – European Directive)	
PN40	Category
DN 125 to DN 200	2 (CE marked)

BODY LIMITING CONDITIONS	
ALLOWABLE PRESSURE	RELATED TEMPERATURE
40 bar	100 °C
33,7 bar	200 °C
31,8 bar	250 °C
29,7 bar	300 °C

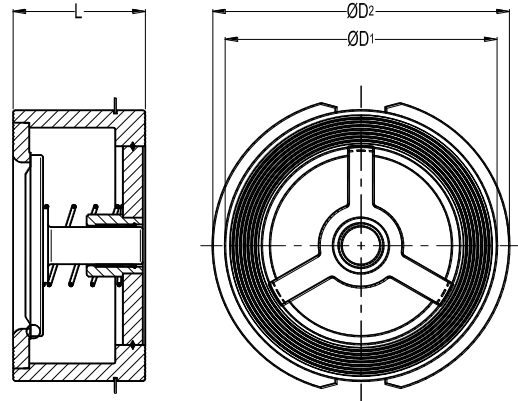
Minimum operating temperature: 20 °C.

DIMENSIONS (mm)							
SIZE DN	PN10/16	PN40		ANSI 150 lb	ANSI 300 lb	L	WGT. (kg)
	D1	D1	D2 *	D1	D2 *		
125	192	192	-	192	212	90	10
150	218	-	226	218	247	106	14
200	273	-	290	273	304	140	24

* Centering ring required.

MATERIALS		
POS. N°	DESIGNATION	MATERIAL
1	Body	S355J2G3 / 1.0570
2	Seat	AISI 316 / 1.4401
3	* Disc	AISI 316 / 1.4401
4	* Spring	AISI 302 / 1.4300
5	Centering ring	AISI 304 / 1.4301
6	Bearing	Steel Fe Zn
7	Star	S355J2G3 / 1.0570
8	* Soft seal	EPDM; NBR; VITON; PTFE

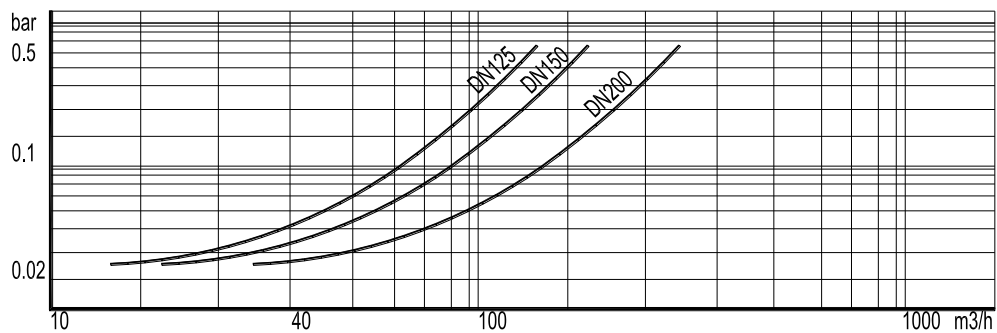
* Available spare parts.



MINIMUM OPENING PRESSURES WITH STANDARD SPRING (mbar)						
SIZE	D.P.	↑	D.P.	→	D.P.	↓
125	37		22		7	
150	40		25		10	
200	46		28		10	

→ : Flow direction.

Pressure drop, horizontal flow, standard spring (water – 20°)



To determine the pressure drop of other mediums the equivalent water flow volume has to be calculated: $V_w = \sqrt{\frac{Q}{1000}} \times V$

V_w = Equivalent water flow volume in m³/h ; Q = Density in kg/m³ ; V = Flow volume in m³/h.